

The Power to Kill Up to 99.9% of Viruses in Under 2 Minutes!\*

Anytime, Anywhere  
**Stay Safe**



## Surface Disinfectant Wipes

Disinfectant and antibacterial cleaning wet wipes are designed for sterilizing commercial, industrial and household surfaces

EPA Product Code #: 59894-10-98045  
EPA Est. #: 98045-FL-001  
OTC Product  
N-List Approved

**Kills 99.9% of Viruses, Germs, & Bacteria\***  
Kills TB and COVID-19 under 2 Minutes!

- A convenient way to clean and disinfect most surfaces
- Durable and lightly scented wipes
- Wipes won't scratch surfaces or leave a residue
- Our proprietary AKTIVE solution is both powerful and safe
- Standard count sizes include; 75, 100, 160, & 500!

**FOR BULK PRICING  
AND LEAD TIMES  
CALL YOUR  
REPRESENTATIVE**



**AKTIVE**  
HEALTH

[www.aktivehealth.com](http://www.aktivehealth.com)

\*See Safety Data Sheet (SDS) and Virus Kill Time Report for Product Effectiveness and Bacteria Kill List. Available on Product Page. SARS-CoV-2 kill time 120 seconds.

# Aktive Disinfectant Wipe



## Product Overview

### Description:

Ready to use disinfectant wet wipes are both durable, lightly scented and work best on non-porous commercial, industrial, and household surfaces.

Our proprietary solution is made from top quality ingredients to provide you a powerful and safe virus / bacteria killing wipe for your home or business.

### Application:

To disinfect and sanitizer hard nonporous surfaces. Wipe surface to be disinfected and allow solution to air dry for a minimum of 2 minutes.

For surfaces that may come in contact with food, a potable water rinse is required. This product is not for use on dishes, glassware or eating utensils.

### Properties:

#### ACTIVE INGREDIENTS:

- N-Alkyl (60% C14, 30% C16, 5% C12, 5% C18)	
- Dimethyl Benzyl Ammonium Chloride.....	0.12%
- N-Alkyl (68% C12, 32% C14).....	0.12%
- Dimethyl Ethyl Benzyl Ammonium Chloride Isopropyl Alcohol.....	41.58%
- OTHER INGREDIENTS†:.....	58.18%
- TOTAL:.....	100.00%

† Does not include weight of dry wipe.

\*See SDS for Approved Ingredient Details

### Usage Properties:

Best for cleaning and disinfecting hard nonporous commercial, industrial, and household surfaces including but not limited to stainless steel, finished hardwood, mirrors, and glass.

### Packaging\*:

Our plastic canisters and tubs are equipped with security seal and center dispenser top that is both light and durable. Our 6" x 5" wipes come in a variety of standard sizes; 75 ct, 100 ct, 160 ct canisters, and 500 ct tubs.

\*Please see packaging spec sheet for unit and freight sizing / weights.



EPA Product Code #: 59894-10-98045

EPA Est. #: 98045-FL-001

OTC Product

N-List Approved

**AKTIVE**  
HEALTH

[www.aktivehealth.com](http://www.aktivehealth.com)

TO PLACE AN ORDER CALL YOUR REPRESENTATIVE

# Aktive Surface Disinfectant



75 ct.

## Master Label & Formula Specs.

**STORAGE AND DISPOSAL:**  
Store in cool area. Keep away from heat or open flame. Do not reuse wipes. Dispose of used wipe in trash. Container Disposal: Non-refillable container. Do not reuse or refill this container. Offer for recycling if available.

**PRECAUTIONARY STATEMENTS:**  
Hazards to Humans and Domestic Animals  
**WARNING:** Causes substantial, but temporary eye injury. Do not get in eyes or on clothing. Wear specific, appropriate protective eyewear such as goggles, face shield or safety glasses. Wash thoroughly with soap and water after handling and before eating, drinking, chewing gum or using tobacco. Wear disposable latex gloves, gowns, masks and eye coverings when handling HIV-1 infected blood or body fluids. Avoid contamination of food. Remove and wash contaminated clothing before reuse.

**FIRST AID:**  
If in eyes: Hold eye open and rinse slowly and gently with water for at least 15-20 minutes. Remove contact lenses, if present, after first 5 minutes, then continue rinsing eye. Call a poison control center or doctor for treatment advice.  
If on skin or clothing: Take off contaminated clothing. Rinse skin immediately with plenty of water for 15-20 minutes. Call a poison control center or doctor for treatment advice. Wash contaminated clothing before reuse.  
**WASH THOROUGHLY AFTER HANDLING WIPES.**

EMERGENCY NUMBER: 1-800-424-9300

Manufactured by:  
Aktive Health  
2231 Linwood Ave  
Naples, FL 34112  
1-800-287-1513  
EPA REG. NO. 59894-10-98045  
EPA EST. NO. 98045-FL-001



100 ct.

**STORAGE AND DISPOSAL:**  
Store in cool area. Keep away from heat or open flame. Do not reuse wipes. Dispose of used wipe in trash. Container Disposal: Non-refillable container. Do not reuse or refill this container. Offer for recycling if available.

**PRECAUTIONARY STATEMENTS:**  
Hazards to Humans and Domestic Animals  
**WARNING:** Causes substantial, but temporary eye injury. Do not get in eyes or on clothing. Wear specific, appropriate protective eyewear such as goggles, face shield or safety glasses. Wash thoroughly with soap and water after handling and before eating, drinking, chewing gum or using tobacco. Wear disposable latex gloves, gowns, masks and eye coverings when handling HIV-1 infected blood or body fluids. Avoid contamination of food. Remove and wash contaminated clothing before reuse.

**FIRST AID:**  
If in eyes: Hold eye open and rinse slowly and gently with water for at least 15-20 minutes. Remove contact lenses, if present, after first 5 minutes, then continue rinsing eye. Call a poison control center or doctor for treatment advice.  
If on skin or clothing: Take off contaminated clothing. Rinse skin immediately with plenty of water for 15-20 minutes. Call a poison control center or doctor for treatment advice. Wash contaminated clothing before reuse.  
**WASH THOROUGHLY AFTER HANDLING WIPES.**

EMERGENCY NUMBER: 1-800-424-9300

Manufactured by:  
Aktive Health  
2231 Linwood Ave  
Naples, FL 34112  
1-800-287-1513  
EPA REG. NO. 59894-10-98045  
EPA EST. NO. 98045-FL-001



**NOTE: Graphic May Not Contain Final Bar Code**

EPA Product Code #: 59894-10-98045  
EPA Est. #: 98045-FL-001  
OTC Product  
N-List Approved

**AKTIVE**  
**HEALTH**  
www.aktivehealth.com



# Aktive Surface Disinfectant



## Master Label & Formula Specs.

160 ct.

**KILLS UP TO 99.9% OF GERMS, VIRUSES, AND BACTERIA\*** INCLUDING SARS-CoV-2\*\*

**ACTIVE INGREDIENTS:**  
 N-Alkyl (60% C14, 30% C16, 5% C12, 5% C18) Dimethyl Benzyl Ammonium Chloride... 0.12%  
 N-Alkyl (68% C12, 32% C14) Dimethyl Ethyl Benzyl Ammonium Chloride... 0.12%  
 Isopropyl Alcohol... 41.58%  
 OTHER INGREDIENTS†... 58.18%  
 TOTAL... 100.00%  
 † Does not include weight of dry wipe.

**WARNING:**  
 KEEP OUT OF REACH OF CHILDREN  
 DO NOT USE AS A BABY WIPES  
 SEE SIDE PANELS FOR ADDITIONAL PRECAUTIONARY STATEMENTS

160 Presaturated Wipes (6x6.75in) 21 lbs (9.52kg)

**STORAGE AND DISPOSAL:**  
 Store in cool area. Keep away from heat or open flame. Do not reuse wipes. Dispose of used wipe in trash. Container Disposal: Non-refillable container. Do not reuse or refill this container. Offer for recycling if available.

**PRECAUTIONARY STATEMENTS:**  
 Hazards to Humans and Domestic Animals  
**WARNING:** Causes substantial, but temporary eye injury. Do not get in eyes or on clothing. Wear specific, appropriate protective eyewear such as goggles, face shield or safety glasses. Wash thoroughly with soap and water after handling and before eating, drinking, chewing gum or using tobacco. Wear disposable latex gloves, gowns, masks and eye coverings when handling HIV-1 infected blood or body fluids. Avoid contamination of food. Remove and wash contaminated clothing before reuse.

**FIRST AID:**  
 If in eyes: Hold eye open and rinse slowly and gently with water for at least 15-20 minutes. Remove contact lenses, if present, after first 5 minutes, then continue rinsing eye. Call a poison control center or doctor for treatment advice.  
 If on skin or clothing: Take off contaminated clothing. Rinse skin immediately with plenty of water for 15-20 minutes. Call a poison control center or doctor for treatment advice. Wash contaminated clothing before reuse.  
**WASH THOROUGHLY AFTER HANDLING WIPES.**

**EMERGENCY NUMBER: 1-800-424-9300**

Manufactured for:  
 Aktive Health  
 2231 Linwood Ave  
 Naples, FL 34112  
 1-800-287-1513  
 EPA REG. NO. 59894-10-98045  
 EPA EST. NO. 98045-FL-001

**PLEASE RECYCLE**  
 Do not reuse container.



500 ct.

**KILLS UP TO 99.9% OF GERMS, VIRUSES, AND BACTERIA\*** INCLUDING SARS-CoV-2\*\*

**ACTIVE INGREDIENTS:**  
 N-Alkyl (60% C14, 30% C16, 5% C12, 5% C18) Dimethyl Benzyl Ammonium Chloride... 0.12%  
 N-Alkyl (68% C12, 32% C14) Dimethyl Ethyl Benzyl Ammonium Chloride... 0.12%  
 Isopropyl Alcohol... 41.58%  
 OTHER INGREDIENTS†... 58.18%  
 TOTAL... 100.00%  
 † Does not include weight of dry wipe.

**WARNING:**  
 KEEP OUT OF REACH OF CHILDREN  
 DO NOT USE AS A BABY WIPES  
 SEE SIDE PANELS FOR ADDITIONAL PRECAUTIONARY STATEMENTS

500 Presaturated Wipes (6x6.75in) 5 lbs (2.25kg)

**STORAGE AND DISPOSAL:**  
 Store in cool area. Keep away from heat or open flame. Do not reuse wipes. Dispose of used wipe in trash. Container Disposal: Non-refillable container. Do not reuse or refill this container. Offer for recycling if available.

**PRECAUTIONARY STATEMENTS:**  
 Hazards to Humans and Domestic Animals  
**WARNING:** Causes substantial, but temporary eye injury. Do not get in eyes or on clothing. Wear specific, appropriate protective eyewear such as goggles, face shield or safety glasses. Wash thoroughly with soap and water after handling and before eating, drinking, chewing gum or using tobacco. Wear disposable latex gloves, gowns, masks and eye coverings when handling HIV-1 infected blood or body fluids. Avoid contamination of food. Remove and wash contaminated clothing before reuse.

**FIRST AID:**  
 If in eyes: Hold eye open and rinse slowly and gently with water for at least 15-20 minutes. Remove contact lenses, if present, after first 5 minutes, then continue rinsing eye. Call a poison control center or doctor for treatment advice.  
 If on skin or clothing: Take off contaminated clothing. Rinse skin immediately with plenty of water for 15-20 minutes. Call a poison control center or doctor for treatment advice. Wash contaminated clothing before reuse.  
**WASH THOROUGHLY AFTER HANDLING WIPES.**

**EMERGENCY NUMBER: 1-800-424-9300**

Manufactured for:  
 Aktive Health  
 2231 Linwood Ave  
 Naples, FL 34112  
 1-800-287-1513  
 EPA REG. NO. 59894-10-98045  
 EPA EST. NO. 98045-FL-001

**PLEASE RECYCLE**  
 Do not reuse container.

**NOTE: Graphic May Not Contain Final Bar Code**

EPA Product Code #: 59894-10-98045  
 EPA Est. #: 98045-FL-001  
 OTC Product  
 N-List Approved

**AKTIVE**  
**HEALTH**  
[www.aktivehealth.com](http://www.aktivehealth.com)

# Aktive Disinfectant Wipe



## Technical Packaging Specs.

# 75 Count

### Plastic Container

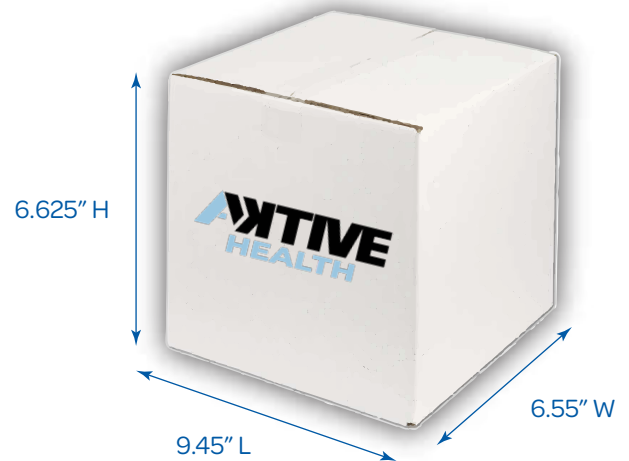
Net weight: 0.905 lbs



### Case Dimensions

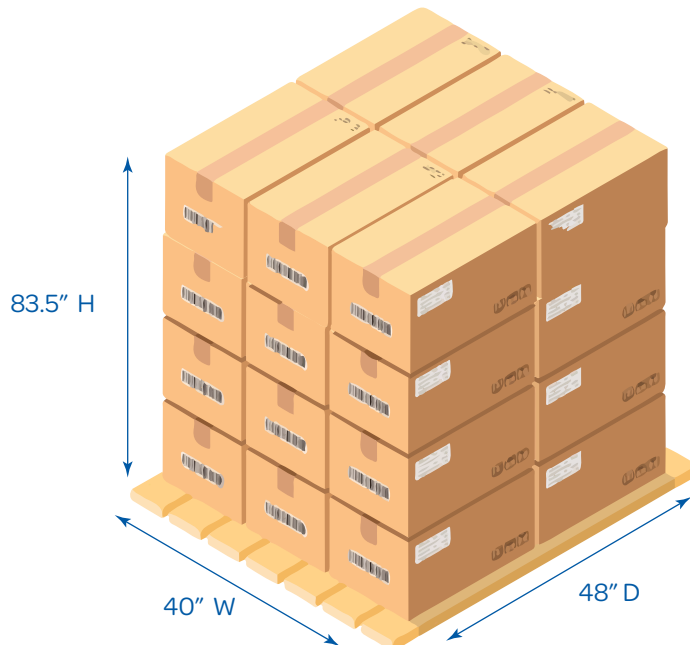
6 Containers per Case

Net weight : 5.43 lbs



### Pallet Dimensions

Net weight: 1,995 lbs



### Pallet Specs:

Cases to Pallet: 360 (2,160 Units)

(30 Cases per Level up to 12 Levels)

on wooden pallet with wrapping

### Full Truck Load

Pallets to Truck: 24

Total Cases: 8/640

Total Weight: 47,875

Total Units: 51,840

\* GRAPHIC NOT EXACT DEPICTION OF CASE/PALLET LAYOUT  
PLEASE SEE PALLET SPECS FOR EXACT STACKING DETAILS

EPA Product Code #: 59894-10-98045

EPA Est. #: 98045-FL-001

OTC Product

N-List Approved

**AKTIVE**  
HEALTH

[www.aktivehealth.com](http://www.aktivehealth.com)

# Aktive Disinfectant Wipe



## Technical Packaging Specs.

# 160 Count

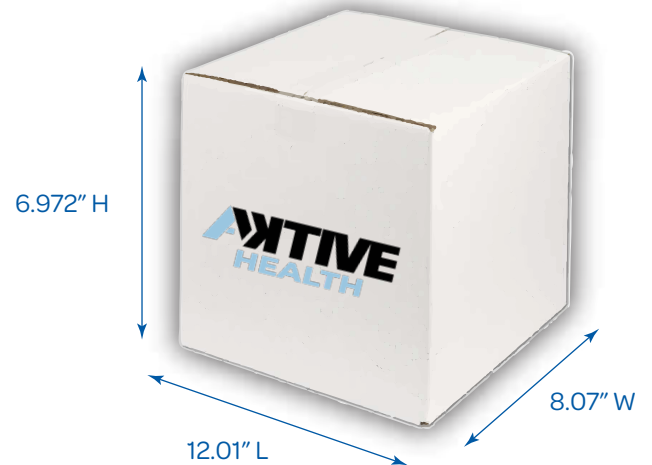
### Plastic Container

Net weight: 1.8 lbs



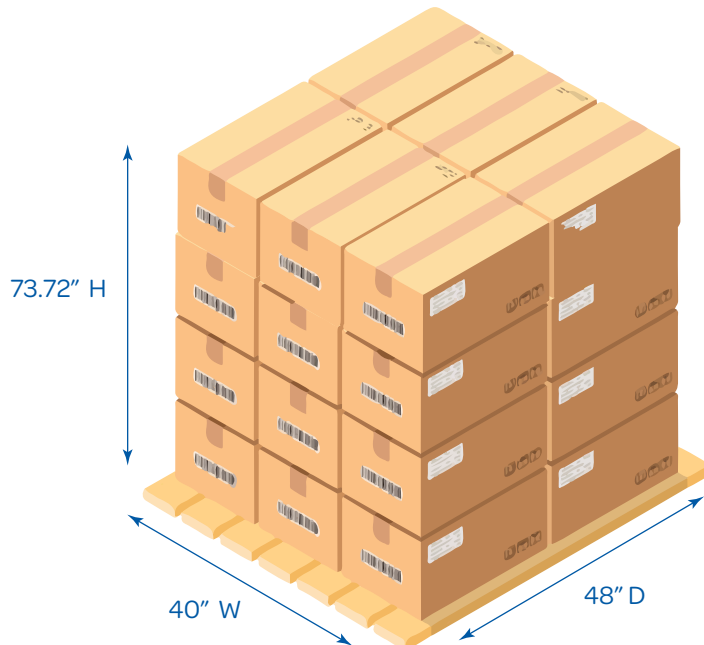
### Case Dimensions

6 Units to a Case  
Weight: 10.83 lbs



### Pallet Dimensions

Weight: 1,881 lbs



### Pallet Specs:

Cases to Pallet: 170 (1,020 Units)  
(17 Cases per Level up to 10 Levels)  
on wooden pallet with wrapping

### Full Truck Load

Pallets to Truck: 24  
Total Cases: 4,080  
Weight: 45,146 lbs  
Total Units: 24,480

\* GRAPHIC NOT EXACT DEPICTION OF CASE/PALLET LAYOUT  
PLEASE SEE PALLET SPECS FOR EXACT STACKING DETAILS

EPA Product Code #: 59894-10-98045  
EPA Est. #: 98045-FL-001  
OTC Product  
N-List Approved

**AKTIVE**  
**HEALTH**

[www.aktivehealth.com](http://www.aktivehealth.com)

# Aktive Disinfectant Wipe



## Technical Packaging Specs.

# 500 Count

### Plastic Container

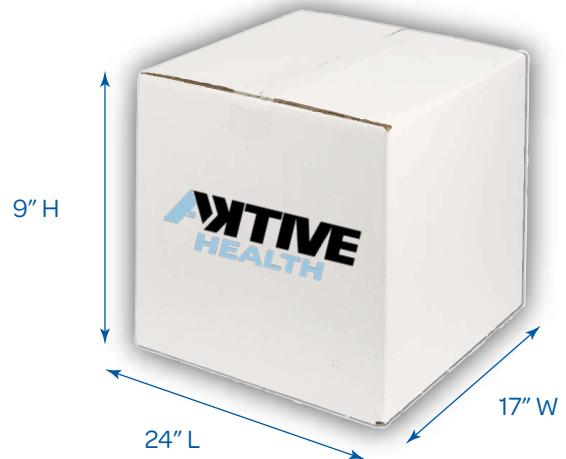
Net weight: 6.31 lbs



### Case Dimensions

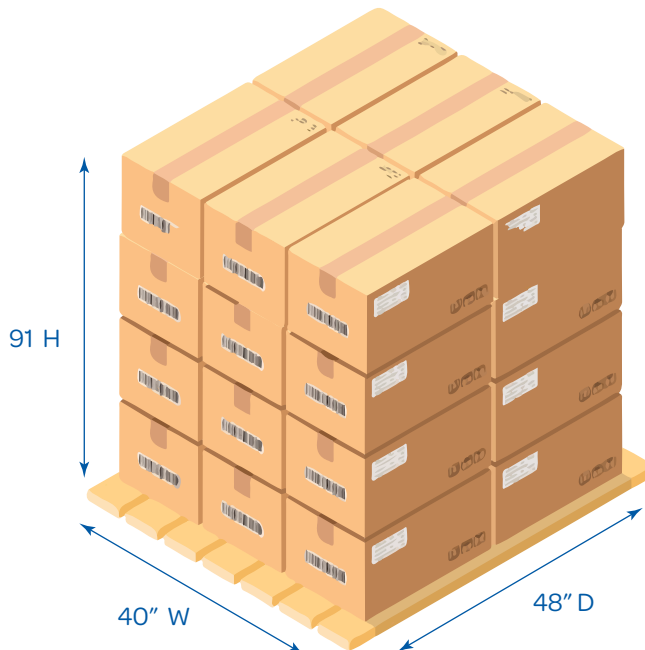
6 Tubs to a Case

Net weight : 30 lbs



### Pallet Dimensions

Net weight: 1,744 lbs



### Pallet Specs:

Cases to Pallet: 45 (270 Units)

(5 Cases per Level up to 9 Levels)

on wooden pallet with wrapping.

### Full Truck Load

Pallets to Truck: 22

Total Cases: 990

Total Units: 5,940

Total Weight: 38,368

\* GRAPHIC NOT EXACT DEPICTION OF CASE/PALLET LAYOUT  
PLEASE SEE PALLET SPECS FOR EXACT STACKING DETAILS

EPA Product Code #: 59894-10-98045

EPA Est. #: 98045-FL-001

OTC Product

N-List Approved

**AKTIVE**  
**HEALTH**

[www.aktivehealth.com](http://www.aktivehealth.com)